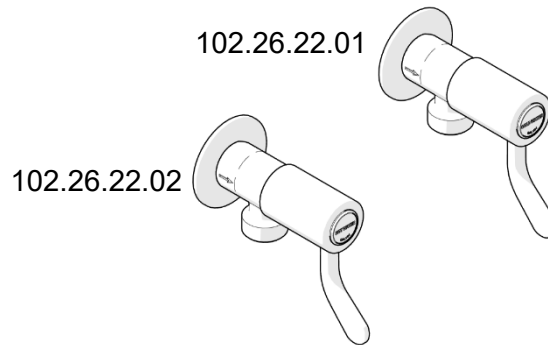


CliniLever® CP-BS Lead Safe™ Hospital Wall Top Assembly 80 C/D Pair

PRODUCT CODE:
102.26.22.03



For Watermark and/or WELS information of KITS, refer to each individually certified component.

Item Codes:	Description	Watermark	WELS
102.26.22.03	CliniLever® CP-BS Lead Safe™ Hospital Washing Machine Tap 80 C/D Pair	N/A	*
Components:			
102.26.22.01	CliniLever® CP-BS Lead Safe™ Hospital Washing Machine Tap 80 C/D - Cold	YES	N/A
102.26.22.02	CliniLever® CP-BS Lead Safe™ Hospital Washing Machine Tap 80 C/D - Hot	YES	N/A
Notes:			
<ol style="list-style-type: none"> 1. N/A—Not applicable. 2. * — The item is a KIT. 3. A copy of each component's Installation Instructions can either be downloaded from www.galvinengineering.com.au or found inside the packaging. 4. Kit components may be purchased separately. 			

INSTALLATION

INSTALLATION COMPLIANCE: Galvin Engineering products must be installed in accordance with these installation instructions and in accordance with AS/NZS 3500, the PCA and your local regulatory requirements. Water and/or electrical supply conditions must also comply to the applicable national and/or state standards. Failing to comply with these provisions shall void the product warranty and may affect the performance of the product.

IMPORTANT: Whilst our product designs take into account a broad range of installation types and surfaces, it is important that surfaces which fixtures are mounted to are flat and free from defect. This is especially important when installing product ranges that have been designed for correctional and health facilities, where special attention is required to minimise ligature points and areas for concealment of contraband. In addition to ensuring the products are fitted securely and in accordance with the following instructions, consideration shall be given to the use of non-pick mastics such as BASF Sonolastic "Ultra" to ensure a high quality and safe installation.

TROUBLESHOOTING		
PROBLEM	CAUSE	RECTIFICATION
Taps are dripping water	Ceramic discs are worn or damaged	Remove and inspect SBA. Remove debris and/or replace SBA if damaged.
	Tap seat is damaged	Refurbish tap seat using a reseating tool.
Handle is loose	Screw has come loose	Tighten handle screw
Leak from behind body	Insufficient sealant	Apply more thread tape or sealant to create a better seal

WARRANTY

Galvin Engineering products are covered under our Manufacturer's Warranty. Galvin Engineering products must be installed in accordance with the installation instructions and in accordance with AS 3500 and NCC Volume Three, relevant Australian Standards and local authorities applicable to product being installed. Water and electrical supply conditions must also comply to the applicable national and/or state standards, failing to comply with these provisions may void the product warranty and affect performance of the product.

Please visit www.galvinengineering.com.au to view the full warranty, our Installation Compliance and Maintenance & Cleaning information as well as any other additional information.

DEFINITIONS AND DISCLAIMER

Galvin Engineering manufactures a range of products marked as Ligature Resistant or Vandal Resistant. Please visit www.galvinengineering.com.au to read the definition of these terms and the disclaimer that applies to these products.